



CMC RESCUE, INC.

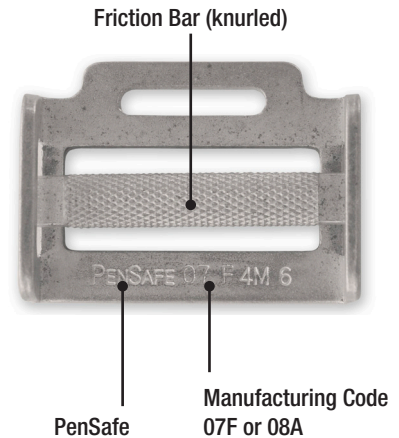
PO Box 6870
Santa Barbara, CA
93160-6870 USA
TEL (805) 562-9120
FAX (805) 562-8260
support@cmcrecue.com

cmcrecue.com

SAFETY NOTICE

REQUEST FOR IMMEDIATE SELF-INSPECTION

of all CMC Rescue and CMC/Roco harnesses and straps using **PenSafe 9225 Friction Buckles**



April 23, 2013

Dear Valued Customer;

In light of the PenSafe Quality Alert released April 22, 2013, CMC Rescue is issuing this Safety Notice for all CMC Rescue and CMC/ROCO harnesses, including seat, chest and full-body versions, as well as straps that use this buckle. After learning of four instances where the friction bar separated from the buckle frame, CMC Rescue and PenSafe conducted a thorough investigation resulting in the PenSafe Quality Alert for this buckle. The incidents occurred when the friction bar was not under load or tension from the web.

This Safety Notice pertains only to **PENSAFE 9225 Friction Buckles** manufactured in 2007 and 2008, with the Manufacturing Code **07F** or **08A** stamped on the buckle frame to the right of the word **PENSAFE**. However, the visibility of **PENSAFE** and the three-digit manufacturing code will be covered by the web sewn to the buckle. The buckles were produced in both silver and black.

Although neither CMC Rescue nor PenSafe have been able to reproduce this type of failure with the 9225 buckles—and these instances were extremely rare—performing the buckle manufacturer’s recommended inspection allows users to verify their buckles are performing as intended. All harnesses and straps using the 9225 buckles should be inspected.

In the rare instance where the friction bar can be separated from the buckle frame, immediately remove the harness or strap from service and contact CMC Rescue. If you have questions about the inspection process, please call CMC Rescue Customer Support at (800) 235-5741 or (805) 562-9120 for further clarification.

Please see the manufacturer’s recommended inspection process beginning on page 2. For a list of CMC Rescue and CMC/ROCO products affected, please see page 5.

Thank you for your continued support and trust!

Rich Phillips, President & CEO
CMC Rescue, Inc.



SAFETY NOTICE

REQUEST FOR IMMEDIATE SELF-INSPECTION

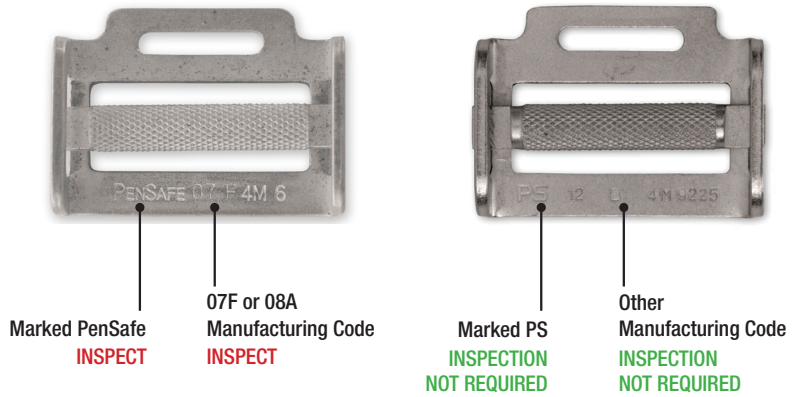
of all CMC Rescue and CMC/Roco harnesses/straps using PenSafe 9225 Friction Buckles

QUICK GUIDE

Follow these guidelines to determine which buckles need to be inspected. Conduct the inspection if you are unable to verify any of the information listed in the Quick Check below.

QUICK CHECK	INSPECT	INSPECTION NOT REQUIRED
Harness Date of Manufacture* prior to January 1, 2008		✓
Frame Marked PenSAFE	✓	
Frame Marked PS		✓
07F Manufacturing Code	✓	
08A Manufacturing Code	✓	
Other Manufacturing Code		✓

* The harness date of manufacture is located on the product label in the label packet.



MANUFACTURER'S RECOMMENDED INSPECTION PROCESS

Some harnesses have multiple PenSafe 9225 Friction Buckles, so be sure to inspect each buckle independently.

1



Locate and identify the PenSafe Friction Buckles on your harness / strap.

2



The manufacturer's name (identified as PenSafe or PS) and three-digit manufacturing code will be covered. Push web to the side to reveal the stamped markings.



SAFETY NOTICE

REQUEST FOR IMMEDIATE SELF-INSPECTION

of all CMC Rescue and CMC/Roco harnesses/straps using PenSafe 9225 Friction Buckles

MANUFACTURER'S RECOMMENDED INSPECTION PROCESS

continued

3



To inspect a PenSafe 9225 Friction Buckle within a harness assembly, loosen the webbing tension so that the buckle and friction bar can move freely.

4



With access to the buckle, move the friction bar in all directions—up, down, side-to-side and diagonally—to ensure it does not separate from the buckle frame.

In the rare instance where the friction bar can be separated from the buckle frame, immediately remove the harness or strap from service and contact CMC Rescue. If you have questions about the inspection process, please call CMC Rescue Customer Support at (800) 235-5741 or (805) 562-9120 for further clarification.

CMC RESCUE, INC. PO Box 6870 | Santa Barbara, CA | 93160-6870 USA

TEL (805) 562-9120 | FAX (805) 562-8260
support@cmcrescue.com

cmcrescue.com

PENSAFE™

STRENGTH & SECURITY

Quality Alert

9225 Friction Buckle

Attention: PenSafe Customers

April 22, 2013

Notice to PenSafe customers using part number 9225 Friction Buckle with manufacture codes of 07F and 08A. Recently reports have been received of failures of this buckle in which the friction (knurled) bar has come out of the buckle frame. Investigation of this issue indicates that the failure is caused by a rare combination of sizing issues with the bar as well as buckle frame.

Note: When this buckle is assembled in a harness and under load, this failure will not occur. If a buckle has this fault, it will occur only while webbing is being adjusted outward on the bar (ie: while loosening the harness).

The product that may have this condition was manufactured in 2007 and 2008, and will bear the manufacturing code of 07F or 08A on the buckle. If you have one of these buckles bearing these codes, it is recommended that you conduct an inspection of the buckle assembly to ensure that the bar is securely held within the buckle frame and cannot be removed. To inspect a buckle in configuration (ie: within a harness assembly) loosen off the webbing tension so that the buckle bar can move freely. With access to the buckle, move the bar in all directions and into diagonal positions to ensure it does not dislodge from the buckle frame.

Should you discover a buckle in which the friction bar can be removed from the frame, immediately remove the item from service and contact the product supplier.

Thank you for your patronage in using PenSafe products.



Bob Claus
Engineering & Product Integrity Manager
(905) 643-7188 Ext. 233

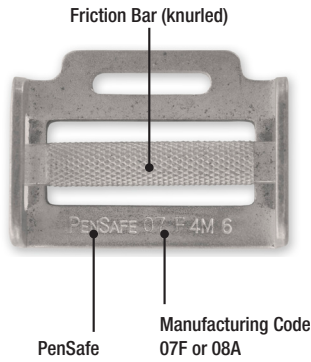


CMC RESCUE, INC.

PO Box 6870
 Santa Barbara, CA
 93160-6870 USA
 TEL (805) 562-9120
 FAX (805) 562-8260
 support@cmcrescue.com

cmcrescue.com

PenSafe 9225 Friction Buckles



Pertaining to the PenSafe Quality Alert released on April 22, please refer to the following list of **CMC Rescue** and **CMC/ROCO** products that may be affected. All harnesses and straps using the 9225 buckles should be inspected.

CMC Rescue

ITEM NUMBER(S)	PRODUCT
202112, 202114, 202115	Rescue Harness
202162, 202164, 202165	Confined Space Harness
202172, 202174, 202175	ProSeries® Rescue Harness
202353	ProSeries® Chest Harness
202822, 202824	Fire Rescue Harness
202832, 202834	Rigger's Harness
202912, 202914, 202915	ProSeries® Helitack Harness
202922, 202924, 202925	Helitack Harness
202964	Special Ops Harness
203702, 203704, 203705	Women's Rescue Harness
724102, 724103, 724106, 724107	Litter Insert
724121	ProSeries® Litter Harness

CMC / ROCO

ITEM NUMBER(S)	PRODUCT
202612, 202614, 202615	Universal Seat Harness
202623	Universal Combo Harness
202632, 202634, 202635	Universal One-Piece Harness
202642, 202644, 202645	Cobra Rescue Harness